

- Economical And Easy To Install
- Cuts Easily With Scissors
- Reflects Radiant Heat
- Insulates Delicate Wires And Components
- Resists Gasoline And Engine Chemicals

Put-Ups

| Nominal Size | Part # | Sheet Width | Wall Thickness ±0.008" | Bulk Spool | Shop Spool | Available Colors | Lbs/ 100' |
|--------------|-----------|-------------|------------------------|------------|------------|------------------|-----------|
| 1/2" | TWN0.50SV | 1 13/16" | 0.025" | 200' | 100' | Silver | 2.60 |
| 3/4" | TWN0.75SV | 2 1/2" | 0.025" | 200' | 100' | Silver | 4.00 |
| 1" | TWN1.00SV | 3 3/8" | 0.025" | 200' | 100' | Silver | 5.10 |
| 1 1/4" | TWN1.25SV | 4 1/4" | 0.025" | 200' | 100' | Silver | 5.70 |
| 1 1/2" | TWN1.50SV | 5" | 0.025" | 200' | 100' | Silver | 6.50 |
| 1 3/4" | TWN1.75SV | 5 13/16" | 0.025" | 100' | 50' | Silver | 7.40 |
| 2" | TWN2.00SV | 6 11/16" | 0.025" | 100' | 50' | Silver | 8.40 |
| 2 1/4" | TWN2.25SV | 7 3/8" | 0.025" | 100' | 50' | Silver | 9.50 |



Cut Cleanly
Scissors

| | |
|-----------------------|-------------------------------|
| Material | Aluminum Laminated Fiberglass |
| Grade | TWN |
| Wall Thickness | .025" |
| Drawing Number | TF001TW-WD |

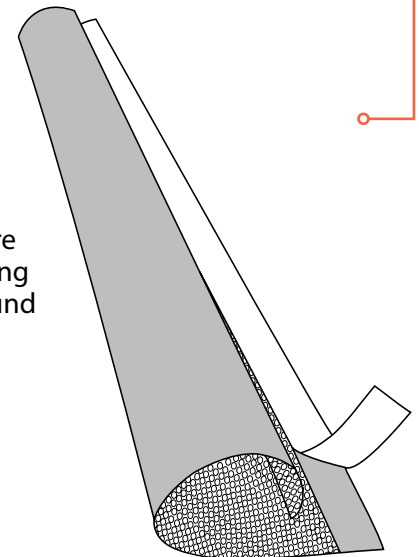
Reflective Aluminized Surface Bonded To Insulating Fiberglass

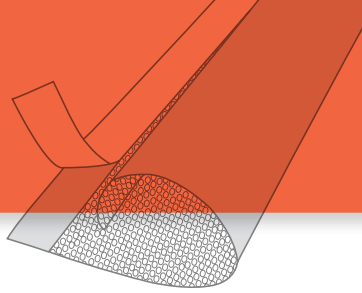
THERMASHIELD creates a buffer between your wires, hoses and cables and the high temperature environments they are required to perform in. ThermaShield is engineered by laminating an aluminum heat shield to a layer of strong fiberglass insulation. This system provides superior protection from radiant heat by reflecting it away from sensitive electronics, wiring and hoses.

THERMASHIELD WRAP (TWN). When component disassembly isn't an option, TWN is the solution. Designed to fit securely around existing assemblies and hard to reach components, the flat material is joined along the edge with a strip of permanent, high temperature adhesive. The aggressive bonding agent will securely adhere anywhere along the width of the material, affording maximum protection and allowing a snug fit around odd-shaped connectors and terminations.

When applied, the aluminum laminate reflects heat away and the insulating fiberglass backing protects the fragile contents from thermal damage and failure.

Colors Available:
Silver (SV)





ABRASION **FLAMMABILITY**

Abrasion Resistance
Very High

Rating _____ Non Combustible
Will not burn

Abrasion Test Machine
Taber 5150

Abrasion Test Wheel
Calibrase H-18

Abrasion Test Load
500g

Room Temperature
70°F

Humidity
57%

Foil Layer Worn Through
1,000 Test Cycle

**Fiberglass Layer Worn
Through - Material
Destroyed**
1,300 Test Cycles

**CHEMICAL
RESISTANCE**

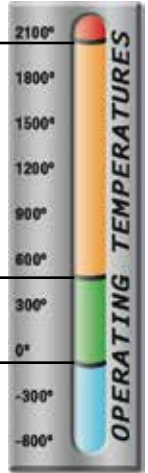
1=No Effect 4=More Affected
2=Little Effect 5=Severely Affected
3=Affected

| | |
|----------------------------------|-----|
| Aromatic Solvents _____ | 1 |
| Aliphatic Solvents _____ | 1 |
| Chlorinated Solvents _____ | 1 |
| Weak Bases _____ | 1 |
| Salts _____ | 1 |
| Strong Bases _____ | 1 |
| Salt Water 0-S-1926 _____ | 1 |
| Hydraulic Fluid MIL-H-5606 _____ | 1 |
| Lube Oil MIL-L-7808 _____ | 1 |
| De-Icing Fluid MIL-A-8243 _____ | 1 |
| Strong Acids _____ | 2 |
| Strong Oxidants _____ | 2 |
| Esters/Ketones _____ | 1 |
| UV Light _____ | 1 |
| Petroleum _____ | 1 |
| Fungus ASTM G-21 _____ | 1 |
| Halogen Free _____ | Yes |
| RoHS _____ | Yes |

Melt Point
ASTM D-2117
2,048°F (1,120°C)

Maximum Continuous
Mil-I-23053
491°F (255°C)

Minimum Continuous
-76°F (-60°C)



**PHYSICAL
PROPERTIES**

Flammability Rating _ Non Combustible
Recommended Cutting _____ Scissor
Colors _____ 1
Wall Thickness _____ .025