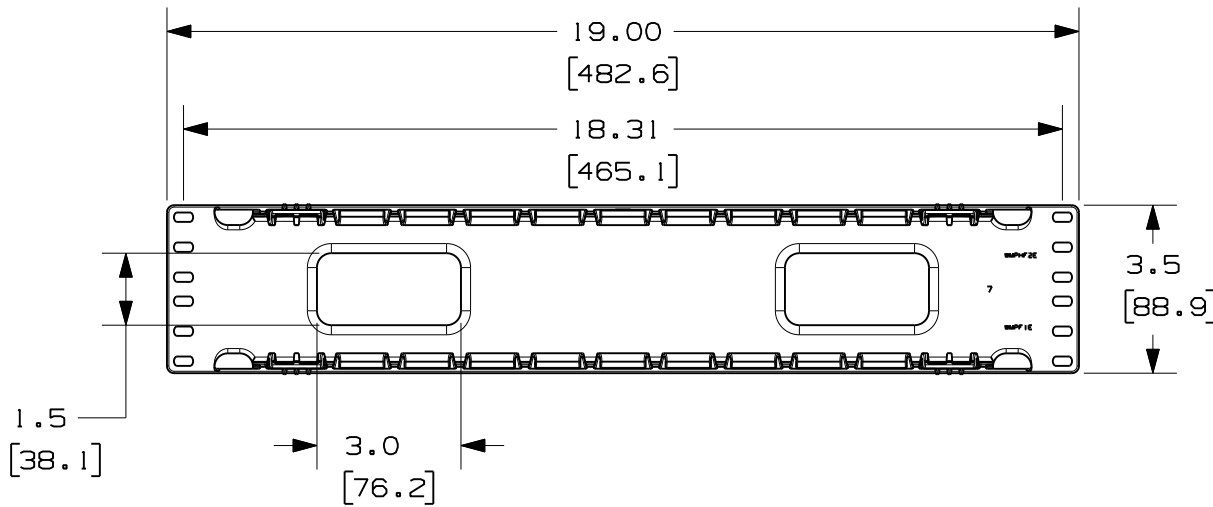


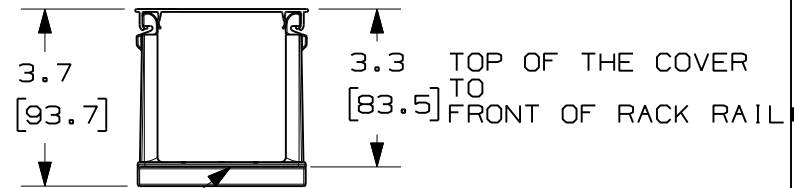
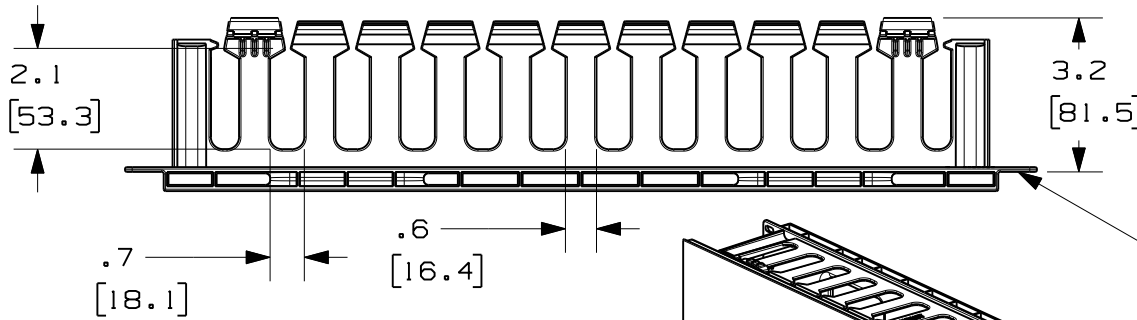
THIS COPY IS PROVIDED ON A RESTRICTED BASIS AND IS NOT TO BE USED IN ANY WAY DETRIMENTAL TO THE INTERESTS OF PANDUIT CORP.



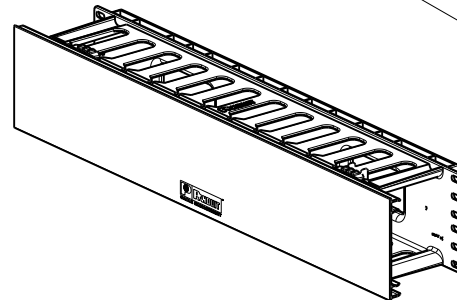
PANDUIT P/N	WEIGHT
WMPF1E	1.2 LBS/EACH 544 g/EACH
WMPF1E-X (10 PARTS/CARTON)	12.0 LBS/EACH 5.4 Kg/EACH

NOTES:

- DESIGNED FOR MOUNTING ON 19" EIA RACKS.
- COMPONENTS:
1- MANAGER
1- 17" LONG X 3.6" HIGH HINGED COVER
4- #12-24 x 1/2" SCREWS
4- M6 METRIC SCREWS
3- WIRE RETAINERS
- DIMENSIONS IN PARENTHESIS ARE METRIC.



SURFACE IN CONTACT WITH FRONT OF THE RACK RAIL



MODEL FILENAME V10101WF_MWMPHF2_06.PRT

CAD FILENAME/LAYERS V10101AB_DC/06E.PRT

PANDUIT CORP. TINLEY PARK, ILLINOIS

WMPF1E HORIZONTAL MANAGER
CUSTOMER DRAWING

UNLESS OTHERWISE SPECIFIED,
DIMENSIONAL TOLERANCES ARE:
(.X) ± (.XXX) ±
(.XX) ± ANGLES ±

UNLESS OTHERWISE SPECIFIED,
ALL DIMENSIONS ARE GIVEN
IN INCHES, THIRD ANGLE PROJECTION.

REV	DATE	BY	CHK	DESCRIPTION	ECN	R	CUST	SUP	OTH
06E	6-16-10	BAME		G. ADDED NOTE FOR COVER HEIGHT	V10101AB-DC				
06C	2-3-10	BAME	ADP	F. ADDED BULK PART NUMBER E. UPDATED REV SCHEME D. DRAWING NUMBER WAS 10101-26	V10101AB-DC		CMK		
3	2-15-07	MLVO	DPN	C. ADDED DIMENSION FROM TOP OF COVER TO BOTTOM OF THE MANAGER.	10101-26		CMK		
2	8-29-05	LEE	KRKE	B. HINGED COVER WAS 19.375" LONG.	10101-26		RTSU	RTSU	
1	01-05-05	TKW	MWH	A. ADDED DIMENSION FROM TOP OF THE COVER TO FRONT OF RACK RAIL.	10101-26		RTSU	RTSU	
R	12-17-02	JDWE	MECA	RELEASED TO PRODUCTION	10101-26		RTSU	RTSU	

DRAWN BY JDWE
DATE 12-17-02
CHK'D MECA

MAT'L:

ABS

SCALE NONE

DRAWING NO.

V10101AB-DC

DWG

A
SIZE