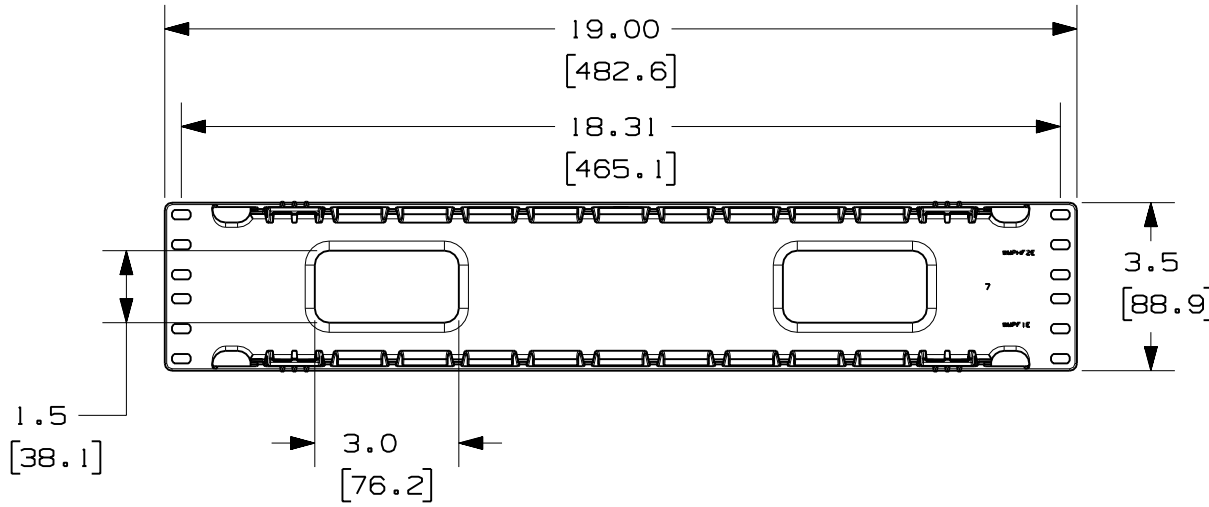
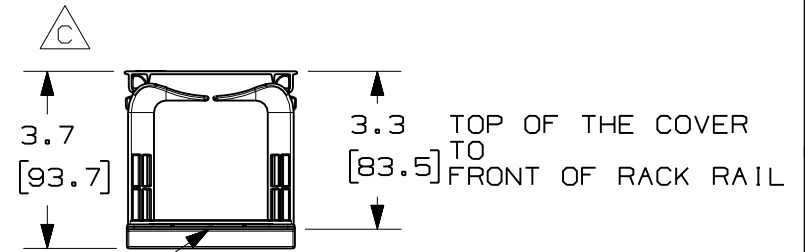
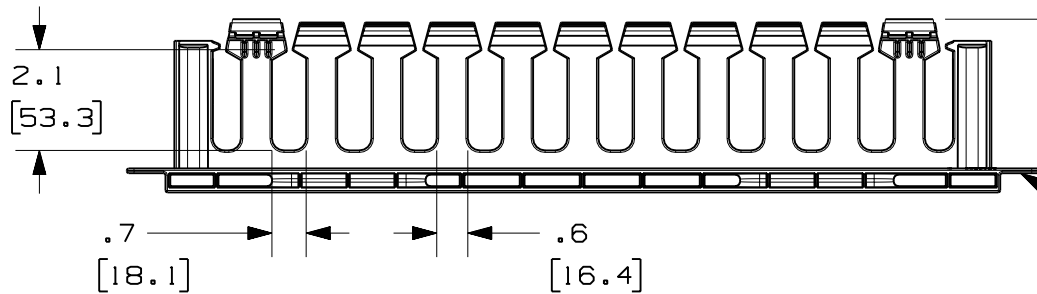


THIS COPY IS PROVIDED ON A RESTRICTED BASIS AND IS NOT TO BE USED IN ANY WAY DETRIMENTAL TO THE INTERESTS OF PANDUIT CORP.

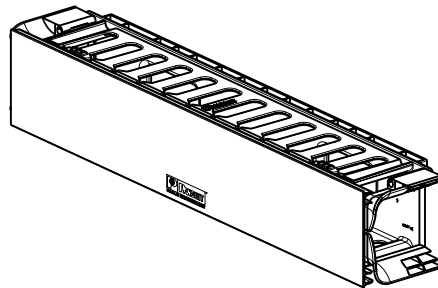
PANDUIT P/N	WEIGHT
WMPHF2E	1.4 LBS/EACH 635 g/EACH



- NOTES:
- DESIGNED FOR MOUNTING ON 19" EIA RACKS.
 - COMPONENTS:
 - 1- MANAGER
 - 1- 19.375" LONG HINGED COVER
 - 4- #12-24 x 2" SCREWS
 - 3- WIRE RETAINERS
 - 2- BEND RADIUS CLIPS
 - DIMENSIONS IN PARENTHESIS ARE METRIC.



SURFACE IN CONTACT WITH FRONT OF THE RACK RAIL



MODEL FILENAME	V10101WF_MWMPHF2_06.PRT
CAD FILENAME/LAYERS	V10101WF_DC_06C.PRT
<h1>PANDUIT</h1> CORP. TINLEY PARK, ILLINOIS	
WMPHF2E HORIZONTAL MANAGER CUSTOMER DRAWING	

REV	DATE	BY	CHK	DESCRIPTION	ECN	R	CUST	SUP	OTH
3	2-15-07	MLVO		C. ADDED DIMENSION FROM TOP OF COVER TO BOTTOM OF MANAGER.	10101-25				
2	12-7-06	RVLE	DPN	B. UPDATED NOTE 2	10101-25		CMK	CMK	
1	12-29-04	TKW	MWH	A. ADDED DIMENSION FROM TOP OF THE COVER TO FRONT OF RACK RAIL.	10101-25		RTSU	RTSU	
R	12-17-02	JDWE	MECA	RELEASED TO PRODUCTION	10101-25		RTSU	RTSU	

UNLESS OTHERWISE SPECIFIED, DIMENSIONAL TOLERANCES ARE:		UNLESS OTHERWISE SPECIFIED, ALL DIMENSIONS ARE GIVEN IN INCHES, THIRD ANGLE PROJECTION.	
(.X) ± .03	(.XXX) ± .005	SCALE	NONE
(.XX) ± .015	ANGLES ± 1°	DRAWING NO.	10101-25
DRAWN BY JDWE	MAT'L: ABS	DWG SIZE	A
DATE 12-17-02			
CHK'D MECA			